

# 1

TheCommonGame.com  
WED 05/22/2024 - Friday, December 29, 2023

♠ A K 7  
♥ —  
♦ K Q 10 8 6 2  
♣ K Q J 10

♠ 10 8 5 4 3  
♥ 10 3  
♦ 9  
♣ A 7 6 5 2



♠ J 9  
♥ K J 7 6 5 2  
♦ J 5 4  
♣ 8 3

♠ Q 6 2  
♥ A Q 9 8 4  
♦ A 7 3  
♣ 9 4

# 1

CG-2023-1363-2449

Printed using BridgeComposer (<https://bridgecomposer.com>)

# 19

TheCommonGame.com  
WED 05/22/2024 - Friday, December 29, 2023

♠ K Q  
♥ 10 9 5  
♦ J 8 5  
♣ Q 6 5 3 2

♠ A 10 5  
♥ Q 2  
♦ K 9 7 6  
♣ K J 9 8



♠ 9 8 7 4 2  
♥ 8 7 4  
♦ Q 10 3  
♣ A 10

♠ J 6 3  
♥ A K J 6 3  
♦ A 4 2  
♣ 7 4

# 19

CG-2023-1363-2449

Printed using BridgeComposer (<https://bridgecomposer.com>)

2

TheCommonGame.com  
WED 05/22/2024 - Friday, December 29, 2023

♠ —  
♥ A Q 9 7 4  
♦ A 7 5 3  
♣ A J 6 3

♠ A Q J 8 7 6  
♥ 5 3 2  
♦ J 4  
♣ 5 4



♠ K 10 2  
♥ K 10 8 6  
♦ 9 2  
♣ K Q 10 7

♠ 9 5 4 3  
♥ J  
♦ K Q 10 8 6  
♣ 9 8 2

2

CG-2023-1363-2449

Printed using BridgeComposer (<https://bridgecomposer.com>)

20

TheCommonGame.com  
WED 05/22/2024 - Friday, December 29, 2023

♠ A Q 9 7 4 2  
♥ —  
♦ A 4 3  
♣ 8 5 4 3

♠ K J 3  
♥ A K J 8 5  
♦ J 7 6 2  
♣ A



♠ 6  
♥ Q 10 9 6  
♦ Q 9 8  
♣ K Q J 9 7

♠ 10 8 5  
♥ 7 4 3 2  
♦ K 10 5  
♣ 10 6 2

20

CG-2023-1363-2449

Printed using BridgeComposer (<https://bridgecomposer.com>)

3

TheCommonGame.com  
WED 05/22/2024 - Friday, December 29, 2023

♠ K Q 10 7  
♥ 10 7 4 3  
♦ A 10 8 2  
♣ 6

♠ 5 4 2  
♥ A J 9 6 2  
♦ 9 4  
♣ 10 9 3



♠ A J 8  
♥ K Q 5  
♦ 7 6  
♣ A J 8 5 4

♠ 9 6 3  
♥ 8  
♦ K Q J 5 3  
♣ K Q 7 2

3

CG-2023-1363-2449

Printed using BridgeComposer (<https://bridgecomposer.com>)

21

TheCommonGame.com  
WED 05/22/2024 - Friday, December 29, 2023

♠ A 9 8  
♥ J 10 6 4  
♦ 10 9 3  
♣ 6 5 3

♠ K J 3  
♥ A Q 9  
♦ A Q J 2  
♣ J 9 7



♠ Q 10 6 5 2  
♥ 7 5 2  
♦ 8 7 6 4  
♣ 4

♠ 7 4  
♥ K 8 3  
♦ K 5  
♣ A K Q 10 8 2

21

CG-2023-1363-2449

Printed using BridgeComposer (<https://bridgecomposer.com>)

4

TheCommonGame.com  
WED 05/22/2024 - Friday, December 29, 2023

♠ A Q 10  
♥ A 4 2  
♦ 10 6 5 4  
♣ 10 5 4

♠ J 9 8 7 6 4  
♥ 3  
♦ A Q  
♣ A 8 3 2



♠ K 3  
♥ K Q J 8  
♦ K 7 3  
♣ K 9 7 6

♠ 5 2  
♥ 10 9 7 6 5  
♦ J 9 8 2  
♣ Q J

4

CG-2023-1363-2449

Printed using BridgeComposer (<https://bridgecomposer.com>)

22

TheCommonGame.com  
WED 05/22/2024 - Friday, December 29, 2023

♠ 9 6 5 4 3  
♥ 5  
♦ Q 8 6 5 4 2  
♣ J

♠ A 10 8  
♥ A Q J 10 3 2  
♦ A 7  
♣ K Q



♠ K 7  
♥ K 8 4  
♦ K 9 3  
♣ 10 8 7 6 5

♠ Q J 2  
♥ 9 7 6  
♦ J 10  
♣ A 9 4 3 2

22

CG-2023-1363-2449

Printed using BridgeComposer (<https://bridgecomposer.com>)

5

TheCommonGame.com  
WED 05/22/2024 - Friday, December 29, 2023

♠ Q 3  
♥ 6  
♦ K 9 8 7 5 4  
♣ A 9 8 4

♠ J 10 7 6 4  
♥ A K J 5  
♦ 3  
♣ 10 5 3



♠ K 9 5  
♥ Q 8 7 4 3  
♦ Q J 10  
♣ 7 2

♠ A 8 2  
♥ 10 9 2  
♦ A 6 2  
♣ K Q J 6

5

CG-2023-1363-2449

Printed using BridgeComposer (<https://bridgecomposer.com>)

23

TheCommonGame.com  
WED 05/22/2024 - Friday, December 29, 2023

♠ Q 4 3  
♥ K 7  
♦ K 10 9 8 7 6 2  
♣ 5

♠ K 10 7  
♥ A 10 5 2  
♦ Q  
♣ 8 7 6 4 3



♠ A 6  
♥ 8 6 3  
♦ A 5 4 3  
♣ K J 10 2

♠ J 9 8 5 2  
♥ Q J 9 4  
♦ J  
♣ A Q 9

23

CG-2023-1363-2449

Printed using BridgeComposer (<https://bridgecomposer.com>)

# Six

TheCommonGame.com  
WED 05/22/2024 - Friday, December 29, 2023

♠ K 9  
♥ A K 7 6 4 2  
♦ 8 4  
♣ A 10 7

♠ A Q 4 3  
♥ Q 5  
♦ 10 6 2  
♣ Q J 8 5



♠ J 7  
♥ J 10 3  
♦ A K Q 7 5  
♣ K 9 3

♠ 10 8 6 5 2  
♥ 9 8  
♦ J 9 3  
♣ 6 4 2

# Six

CG-2023-1363-2449

Printed using BridgeComposer (<https://bridgecomposer.com>)

# 24

TheCommonGame.com  
WED 05/22/2024 - Friday, December 29, 2023

♠ K J 8 7 4  
♥ —  
♦ 3  
♣ A K 10 9 5 4 3

♠ 3  
♥ K J 8 7 6 5  
♦ K 10 7 4  
♣ 8 7



♠ A 6  
♥ A Q 9 2  
♦ A Q 8 6 5 2  
♣ Q

♠ Q 10 9 5 2  
♥ 10 4 3  
♦ J 9  
♣ J 6 2

# 24

CG-2023-1363-2449

Printed using BridgeComposer (<https://bridgecomposer.com>)

# 7

TheCommonGame.com  
WED 05/22/2024 - Friday, December 29, 2023

♠ A K 9  
♥ K Q J 7 2  
♦ K 8 2  
♣ 10 5

♠ Q J 10 4  
♥ 9 5 3  
♦ Q 4  
♣ 9 7 6 2



♠ 6 3 2  
♥ 10 6 4  
♦ A 7 5 3  
♣ A 8 3

♠ 8 7 5  
♥ A 8  
♦ J 10 9 6  
♣ K Q J 4

# 7

CG-2023-1363-2449

Printed using BridgeComposer (<https://bridgecomposer.com>)

# 25

TheCommonGame.com  
WED 05/22/2024 - Friday, December 29, 2023

♠ 9 6 5  
♥ A J 10  
♦ 2  
♣ J 10 7 6 5 4

♠ Q 10 8  
♥ Q 9 7  
♦ A 9 5 4  
♣ A K 9



♠ 4 3 2  
♥ K 2  
♦ J 10 7 6 3  
♣ Q 8 3

♠ A K J 7  
♥ 8 6 5 4 3  
♦ K Q 8  
♣ 2


# 25

CG-2023-1363-2449

Printed using BridgeComposer (<https://bridgecomposer.com>)

8

TheCommonGame.com  
WED 05/22/2024 - Friday, December 29, 2023

|               |   |               |
|---------------|---|---------------|
|               | ♠ 3   |               |
|               | ♥ A Q 8   |               |
|               | ♦ Q 10 4  |               |
|               | ♣ A Q 8 6 5 3   |               |
| ♠ 10 8        |  | ♠ K 9 7 6 4 2 |
| ♥ K 9 6       |   | ♥ J 5 3       |
| ♦ A K 8 7 5 2 |   | ♦ J           |
| ♣ 7 4         |   | ♣ K 9 2       |
|               | ♠ A Q J 5   |               |
|               | ♥ 10 7 4 2  |               |
|               | ♦ 9 6 3   |               |
|               | ♣ J 10  |               |

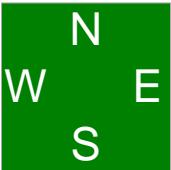
8

CG-2023-1363-2449

Printed using BridgeComposer (<https://bridgecomposer.com>)

26

TheCommonGame.com  
WED 05/22/2024 - Friday, December 29, 2023

|           |   |              |
|-----------|---|--------------|
|           | ♠ K 10 3 2  |              |
|           | ♥ J 6 5 2   |              |
|           | ♦ 10 5  |              |
|           | ♣ Q 4 3   |              |
| ♠ A 9 7 4 |  | ♠ J 8        |
| ♥ A K     |   | ♥ 10 9 8 7 3 |
| ♦ Q J 6 4 |   | ♦ A K 3      |
| ♣ 10 6 5  |   | ♣ A 9 2      |
|           | ♠ Q 6 5   |              |
|           | ♥ Q 4   |              |
|           | ♦ 9 8 7 2   |              |
|           | ♣ K J 8 7   |              |

26

CG-2023-1363-2449

Printed using BridgeComposer (<https://bridgecomposer.com>)





# 10

TheCommonGame.com  
WED 05/22/2024 - Friday, December 29, 2023

♠ K Q 6 2  
♥ A J 7  
♦ A Q 8  
♣ K 10 5

♠ A 10 7 4 3  
♥ K 6  
♦ K J 5 3  
♣ 4 3



♠ J 9  
♥ 10 3  
♦ 9 6 2  
♣ A Q J 8 7 6

♠ 8 5  
♥ Q 9 8 5 4 2  
♦ 10 7 4  
♣ 9 2

# 10

CG-2023-1363-2449

Printed using BridgeComposer (<https://bridgecomposer.com>)

# 28

TheCommonGame.com  
WED 05/22/2024 - Friday, December 29, 2023

♠ K 4 3  
♥ J 9 3  
♦ 9 7 6 4  
♣ 8 6 4

♠ 9 8 2  
♥ A 8  
♦ A J 10 5 3 2  
♣ Q 7



♠ J 7 6  
♥ Q 10 5 2  
♦ K  
♣ K 10 9 3 2

♠ A Q 10 5  
♥ K 7 6 4  
♦ Q 8  
♣ A J 5

# 28

CG-2023-1363-2449

Printed using BridgeComposer (<https://bridgecomposer.com>)

# 11

TheCommonGame.com

WED 05/22/2024 - Friday, December 29, 2023

♠ A 10  
 ♥ A 9 3  
 ♦ A 10 8 7  
 ♣ K 8 6 4

♠ J 9 7 6 3  
 ♥ 5  
 ♦ Q 6 5 4  
 ♣ A Q 3



♠ Q 5 4  
 ♥ 8 6 4 2  
 ♦ 3 2  
 ♣ 10 9 7 2

♠ K 8 2  
 ♥ K Q J 10 7  
 ♦ K J 9  
 ♣ J 5

# 11

CG-2023-1363-2449

Printed using BridgeComposer (<https://bridgecomposer.com>)

# 29

TheCommonGame.com

WED 05/22/2024 - Friday, December 29, 2023

♠ A 8 4 3  
 ♥ 10 9 3 2  
 ♦ J 9  
 ♣ K 10 9

♠ K J 5  
 ♥ K Q  
 ♦ K Q 10 7 4  
 ♣ J 5 2



♠ 10 2  
 ♥ A  
 ♦ 6 5 3 2  
 ♣ A Q 7 6 4 3

♠ Q 9 7 6  
 ♥ J 8 7 6 5 4  
 ♦ A 8  
 ♣ 8

# 29

CG-2023-1363-2449

Printed using BridgeComposer (<https://bridgecomposer.com>)

# 12

TheCommonGame.com  
WED 05/22/2024 - Friday, December 29, 2023

♠ K J 8 6 5 3  
♥ 7 2  
♦ K Q J  
♣ 8 4

♠ A Q 9  
♥ 10  
♦ 7 6 2  
♣ Q J 9 7 6 2



♠ 4 2  
♥ K 9 8 6 3  
♦ A 10 9 8 5  
♣ 3

♠ 10 7  
♥ A Q J 5 4  
♦ 4 3  
♣ A K 10 5

# 12

CG-2023-1363-2449

Printed using BridgeComposer (<https://bridgecomposer.com>)

# 30

TheCommonGame.com  
WED 05/22/2024 - Friday, December 29, 2023

♠ K 8 7 2  
♥ K J 7  
♦ 5 4  
♣ 8 6 5 4

♠ 5 4 3  
♥ 8 5 4  
♦ J 10 9 8  
♣ 9 7 3



♠ A Q J 10 9  
♥ A 10 6 3  
♦ K 3  
♣ Q 2

♠ 6  
♥ Q 9 2  
♦ A Q 7 6 2  
♣ A K J 10

# 30

CG-2023-1363-2449

Printed using BridgeComposer (<https://bridgecomposer.com>)

# 13

TheCommonGame.com  
WED 05/22/2024 - Friday, December 29, 2023

♠ K Q 7 2  
♥ J 9 8 3  
♦ Q J  
♣ K 4 3

♠ A 9 4  
♥ A K 10 5 2  
♦ 10 8 4  
♣ 8 2



♠ J 8  
♥ 6 4  
♦ A K 9 6 3  
♣ A Q 9 6

♠ 10 6 5 3  
♥ Q 7  
♦ 7 5 2  
♣ J 10 7 5

# 13

CG-2023-1363-2449

Printed using BridgeComposer (<https://bridgecomposer.com>)

# 31

TheCommonGame.com  
WED 05/22/2024 - Friday, December 29, 2023

♠ A 6 2  
♥ A 6  
♦ 8 7  
♣ A 10 8 7 6 2

♠ J 5  
♥ K Q 10 4 3 2  
♦ Q 10 5 3  
♣ 9



♠ K Q 8 7 3  
♥ J 8 5  
♦ K 9  
♣ K Q 5

♠ 10 9 4  
♥ 9 7  
♦ A J 6 4 2  
♣ J 4 3

# 31

CG-2023-1363-2449

Printed using BridgeComposer (<https://bridgecomposer.com>)

# 14

TheCommonGame.com  
WED 05/22/2024 - Friday, December 29, 2023

♠ 10 9 5  
♥ 9 3  
♦ K J 10  
♣ K 10 9 6 2

♠ K 4 3  
♥ A Q J 7 6  
♦ A 6 5 2  
♣ 4



♠ A Q 8 7  
♥ 8 5  
♦ Q 7  
♣ A Q 8 7 5

♠ J 6 2  
♥ K 10 4 2  
♦ 9 8 4 3  
♣ J 3

# 14

CG-2023-1363-2449

Printed using BridgeComposer (<https://bridgecomposer.com>)

# 32

TheCommonGame.com  
WED 05/22/2024 - Friday, December 29, 2023

♠ K Q 9  
♥ A 4  
♦ K Q J 5 3  
♣ A 3 2

♠ J 8 5  
♥ J 9 5 2  
♦ A 7 6  
♣ Q 7 5



♠ 10 3 2  
♥ 10 8  
♦ 10 9 4 2  
♣ K 9 8 4

♠ A 7 6 4  
♥ K Q 7 6 3  
♦ 8  
♣ J 10 6

# 32

CG-2023-1363-2449

Printed using BridgeComposer (<https://bridgecomposer.com>)

# 15

TheCommonGame.com  
WED 05/22/2024 - Friday, December 29, 2023

♠ 6 4 2  
♥ A 9 7 4 2  
♦ K 8 7  
♣ 10 9

♠ A 8 7  
♥ 6 5  
♦ Q J 5 3  
♣ J 5 4 3



♠ Q 10 3  
♥ K Q  
♦ 10 9 6 2  
♣ Q 8 7 6

♠ K J 9 5  
♥ J 10 8 3  
♦ A 4  
♣ A K 2

# 15

CG-2023-1363-2449

Printed using BridgeComposer (<https://bridgecomposer.com>)

# 33

TheCommonGame.com  
WED 05/22/2024 - Friday, December 29, 2023

♠ Q 6 5 4  
♥ 8 2  
♦ Q 10 5 3 2  
♣ J 2

♠ K J 10 8 3 2  
♥ K 10 9 7  
♦ K  
♣ 9 4



♠ 7  
♥ J 6 5  
♦ J 9 8 7 4  
♣ A 8 7 5

♠ A 9  
♥ A Q 4 3  
♦ A 6  
♣ K Q 10 6 3


# 33

CG-2023-1363-2449

Printed using BridgeComposer (<https://bridgecomposer.com>)

# 16

TheCommonGame.com  
WED 05/22/2024 - Friday, December 29, 2023

|           |   |            |
|-----------|---|------------|
|           | ♠ 7   |            |
|           | ♥ J 6 2   |            |
|           | ♦ K 9 5 2   |            |
|           | ♣ K 9 5 4 2   |            |
| ♠ A Q 8 4 |  | ♠ K 9 2    |
| ♥ 10 9 8  |   | ♥ K 7 4 3  |
| ♦ A Q J   |   | ♦ 6 3      |
| ♣ A Q 3   |   | ♣ J 10 8 7 |
|           | ♠ J 10 6 5 3  |            |
|           | ♥ A Q 5   |            |
|           | ♦ 10 8 7 4  |            |
|           | ♣ 6   |            |

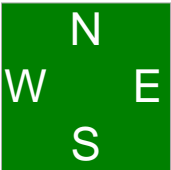
# 16

CG-2023-1363-2449

Printed using BridgeComposer (<https://bridgecomposer.com>)

# 34

TheCommonGame.com  
WED 05/22/2024 - Friday, December 29, 2023

|            |   |           |
|------------|---|-----------|
|            | ♠ 5 3   |           |
|            | ♥ 9 4 2   |           |
|            | ♦ K Q 8 6 4 3   |           |
|            | ♣ K 10  |           |
| ♠ 9 4 2    |  | ♠ K Q J 6 |
| ♥ A K 10 6 |   | ♥ 8 7 5 3 |
| ♦ A J      |   | ♦ 10 5 2  |
| ♣ 8 7 6 4  |   | ♣ A 5     |
|            | ♠ A 10 8 7  |           |
|            | ♥ Q J   |           |
|            | ♦ 9 7   |           |
|            | ♣ Q J 9 3 2   |           |

# 34

CG-2023-1363-2449

Printed using BridgeComposer (<https://bridgecomposer.com>)



# 17

TheCommonGame.com  
WED 05/22/2024 - Friday, December 29, 2023

♠ A 2  
♥ A Q J 2  
♦ Q J 6 2  
♣ K J 7

♠ Q J 8 6 5  
♥ 8  
♦ K 9  
♣ 10 8 6 4 2



♠ K 10 9 3  
♥ 10 9 6 4  
♦ 5 4  
♣ Q 5 3

♠ 7 4  
♥ K 7 5 3  
♦ A 10 8 7 3  
♣ A 9

# 17

CG-2023-1363-2449

Printed using BridgeComposer (<https://bridgecomposer.com>)

# 35

TheCommonGame.com  
WED 05/22/2024 - Friday, December 29, 2023

♠ Q 9 7  
♥ K Q 7 5  
♦ K 7 5  
♣ J 10 3

♠ 6 5 2  
♥ 9 8 3  
♦ A  
♣ 9 8 7 6 5 2



♠ J 8 3  
♥ 10 4  
♦ J 10 6 4 3 2  
♣ K Q

♠ A K 10 4  
♥ A J 6 2  
♦ Q 9 8  
♣ A 4

# 35

CG-2023-1363-2449

Printed using BridgeComposer (<https://bridgecomposer.com>)

# 18

TheCommonGame.com  
WED 05/22/2024 - Friday, December 29, 2023

♠ J 10 9 7  
♥ A 10 7 2  
♦ 9 5  
♣ K 8 4

♠ A 8 6  
♥ 9 8 5  
♦ J 8 4  
♣ Q 7 5 3



♠ K 5 4 2  
♥ Q  
♦ Q 10 6 3  
♣ A J 6 2

♠ Q 3  
♥ K J 6 4 3  
♦ A K 7 2  
♣ 10 9

# 18

CG-2023-1363-2449

Printed using BridgeComposer (<https://bridgecomposer.com>)

# 36

TheCommonGame.com  
WED 05/22/2024 - Friday, December 29, 2023

♠ 10 4  
♥ Q J 3 2  
♦ K 9 8  
♣ 10 9 3 2

♠ A 6  
♥ K 10 9 7 4  
♦ A 7 5 4  
♣ J 6



♠ Q J 5 3  
♥ 8 5  
♦ 10 6 2  
♣ A K 8 4

♠ K 9 8 7 2  
♥ A 6  
♦ Q J 3  
♣ Q 7 5

# 36

CG-2023-1363-2449

Printed using BridgeComposer (<https://bridgecomposer.com>)